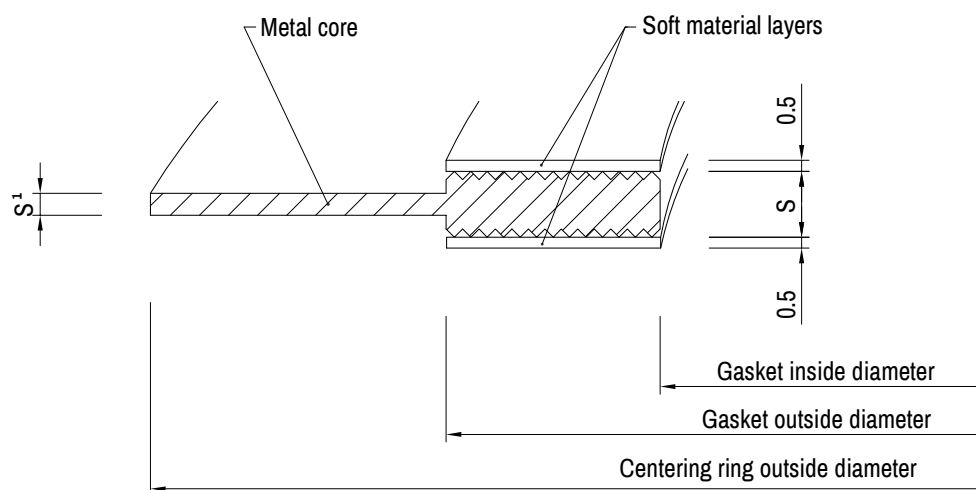


## STANDARD KAMMPROFILE DIMENSIONS - ASME B16.5

ABO type KK-OF  
ABO type KK-C-OF

ABO type KK-O  
ABO type KK-C-O



$S = 3 \div 4$  mm (standard thicknesses) - For other thicknesses ask us

$S^1 = 2$  mm (standard thicknesses) - For other thicknesses ask us



Flange size (NPS) inches	Gasket inside diameter (mm)	Gasket outside diameter			Centering ring outside diameter						
		150 300	400 600	900 2500	150	300	400	600	900	1500	2500
1/2	20	30	30	30	44.5	50.8	50.8	50.8	60.3	60.3	66.7
3/4	25	35	35	35	53.9	63.5	63.5	63.5	66.7	66.7	73.0
1	32	42	42	42	63.5	69.8	69.8	69.8	76.2	76.2	82.5
1 1/4	40	56	56	56	73.0	79.4	79.4	79.4	85.7	85.7	101.6
1 1/2	45	61	61	61	82.5	92.1	92.1	92.1	95.2	95.2	114.3
2	60	80	80	80	101.6	108.0	108.0	108.0	139.7	139.7	142.8
2 1/2	70	90	90	90	120.6	127.0	127.0	127.0	161.9	161.9	165.1
3	85	105	105	110	133.4	146.1	146.1	146.1	165.1	171.5	193.7
3 1/2	100	120	120	-	158.8	161.9	158.7	158.7	-	-	-
4	110	130	130	135	171.5	177.8	174.6	190.5	203.2	206.4	231.7
5	135	155	155	165	193.7	212.7	209.5	238.1	244.5	250.8	276.2
6	160	180	180	195	219.1	247.7	244.5	263.5	285.8	279.4	314.3
8	210	230	230	250	276.2	304.8	301.6	317.5	355.6	349.3	384.1
10	265	285	295	315	336.5	358.8	355.6	396.9	431.8	431.8	473.0
12	315	335	350	375	406.4	419.1	415.9	454.0	495.3	517.5	546.1
14	350	370	390	405	447.7	482.6	479.4	488.9	517.5	574.7	-
16	400	425	445	460	511.2	536.6	533.4	561.9	571.5	638.1	-
18	450	480	500	525	546.1	593.7	590.5	609.6	635.0	701.7	-
20	500	535	555	575	603.2	650.9	644.5	679.5	695.3	752.4	-
24	600	640	665	685	714.4	771.5	765.2	787.4	835.0	898.5	-

## MATERIAL / TEMPERATURE / PRESSURE

MATERIALS	T Max	Filler Graphite Max. Temp.	Pressure Max with Graphite	Filler PTFE Max. Temp.	Pressure Max with PTFE	Filler Micatherm Max. Temp.	Pressure Max with Micatherm
SS304L	550 C°	550 C°	250 bar	250 C°	100 bar	1000 C°	120 bar
SS3016L	550 C°	550 C°	250 bar	250 C°	100 bar	1000 C°	120 bar
SS321	550 C°	550 C°	250 bar	250 C°	100 bar	1000 C°	120 bar
SS347	550 C°	550 C°	250 bar	250 C°	100 bar	1000 C°	120 bar
Alloy400	600-950 C°	550 C°	250 bar	250 C°	100 bar	1000 C°	120 bar
Alloy600	600-950 C°	550 C°	250 bar	250 C°	100 bar	1000 C°	120 bar
Alloy625	600-950 C°	550 C°	250 bar	250 C°	100 bar	1000 C°	120 bar
Alloy800	600-950 C°	550 C°	250 bar	250 C°	100 bar	1000 C°	120 bar
Alloy825	600-950 C°	550 C°	250 bar	250 C°	100 bar	1000 C°	120 bar
Hastelloy C276	450 C°	550 C°	250 bar	250 C°	100 bar	1000 C°	120 bar
Titanium	350 C°	550 C°	250 bar	250 C°	100 bar	1000 C°	120 bar

